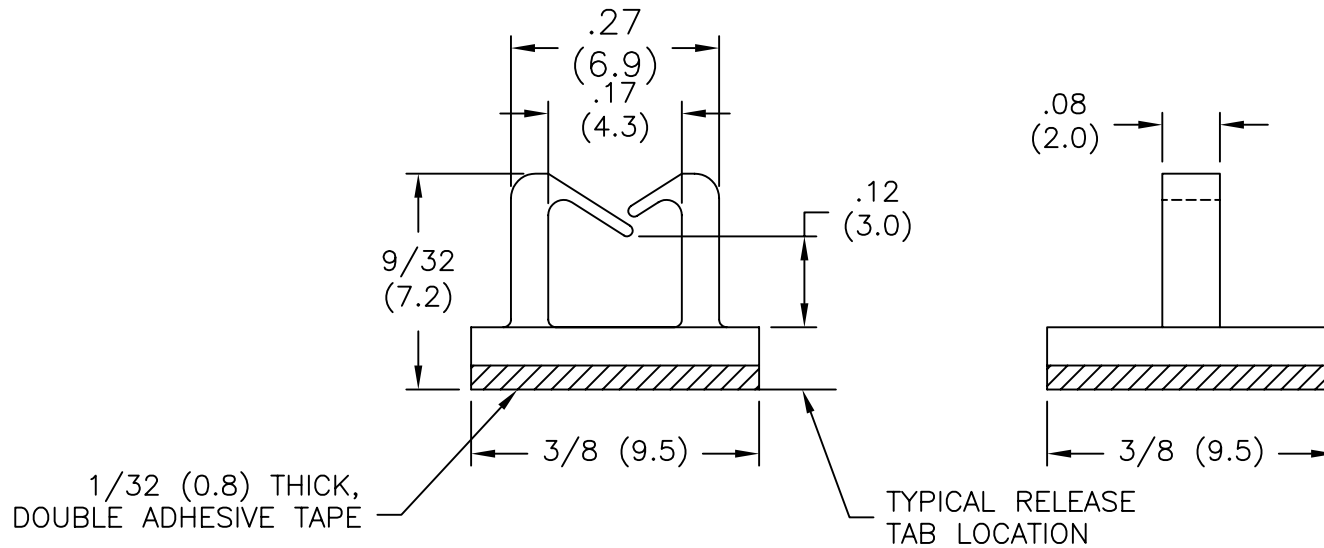


MAT'L: NYLON 66,
(RMS-01),
COLOR: NATURAL.
PART NO.

MAT'L: FLAME RET.
NYLON 66 (RMS-19),
COLOR: NATURAL.
PART NO.

MWSB-1-01A-RT

MWSB-1-19A-RT



NOTES:

1. TAPE: ACRYLIC ADHESIVE TAPE (RMS-15)

E SEE ECN #1312 FOR CHANGES SK 04.11.07			TITLE: MICRO WIRE SADDLE ON BASE				DWG IN IN (MM)		FINAL		
D RMS-19 MADE AS STANDARD AND CHANGED FILE NO. SM 04.24.01			TOLERANCES UNLESS NOTED .XX=±.010 .XXX=±.005		FILE # MWSB1 DWN: P.B. APP:		DT: 07-11-94 DT:		PART #		PRINT TYPE
C MAT'L RMS-19 ADDED J.L. 12.10.97			.XXX=±.005		MAT'L: SEE TABLE		RE: RICHCO, INC.		SEE TABLE		CA
B CONVERTED TO ACAD; FILE NO. WAS 05020 PB 07.11.94			FRAC=±1/64 ANG=±1°		RICHCO INC.		PO BOX 804238, CHICAGO, 60680				
A RELEASE TAB (RT) ADDED RS 03.05.93			ENGR DATE		(773) 539-4060						
REV DESCRIPTION											